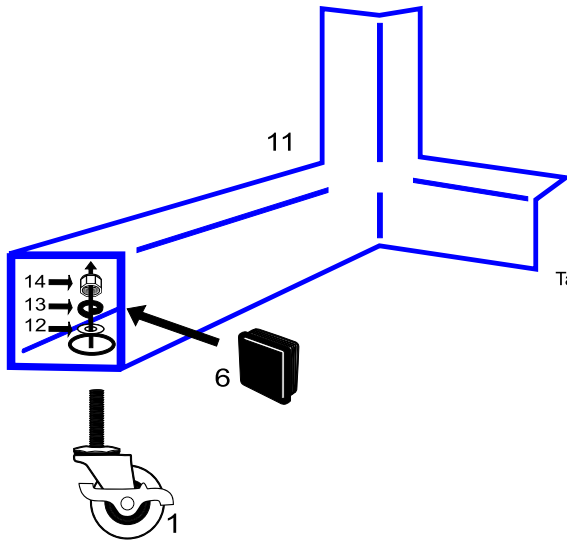


# 076- 6 Bow Floor Rack Assembly Instructions

**BOWTREE**  
www.bowtree.com  
6410 Broadway St. Quincy IL 62305  
1-866-bowtree

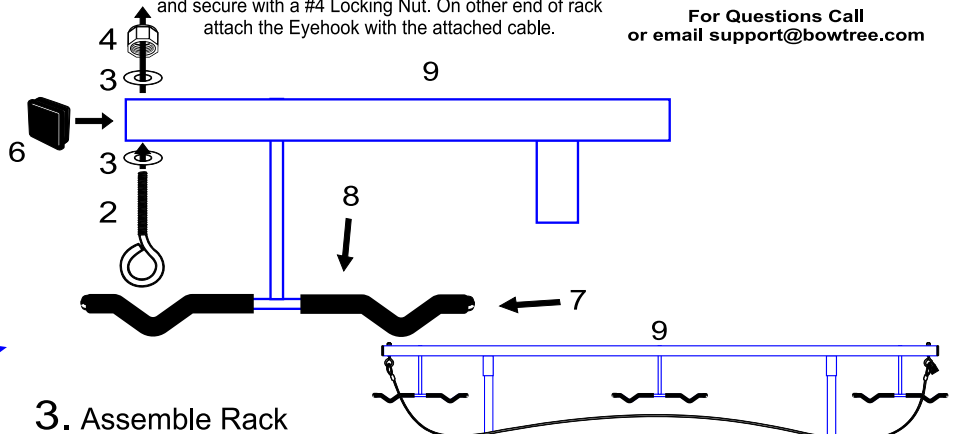
## 1. Attach Casters to Feet

Each #11 foot gets a #1 Caster with a brake and a #1 Caster without a brake. For each #11 foot you want the caster with the brake to be on the opposite side as it is on the other #11 foot. That way each side of the bow rack has a caster with a brake. Insert #9 Square Rubber End Caps into each end of the foot once the casters are in place.



## 2. Attach Eyebolts To #9 Top Bar

Thread Eyebolt #2 through a #3 Washer into the bottom of the end hole of the #9 Top Bar. Thread another #3 washer on top of the #9 Bar and secure with a #4 Locking Nut. On other end of rack attach the Eyehook with the attached cable.



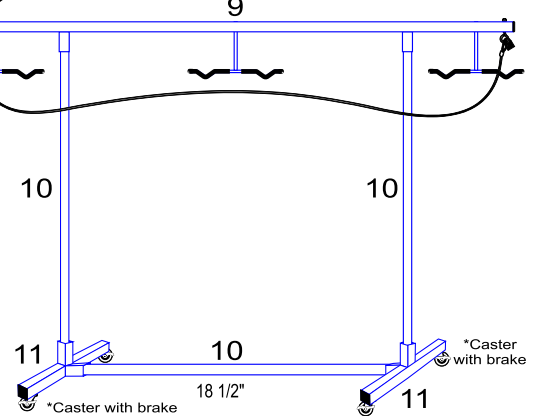
## 3. Assemble Rack

Take the 18 1/2" #10 Bar and slide into the horizontal pieces of the feet. Push together until the feet snap into place.

Take the remaining two #10 bars and slide them into the vertical pieces of the #11 feet. Push together until they snap into place.

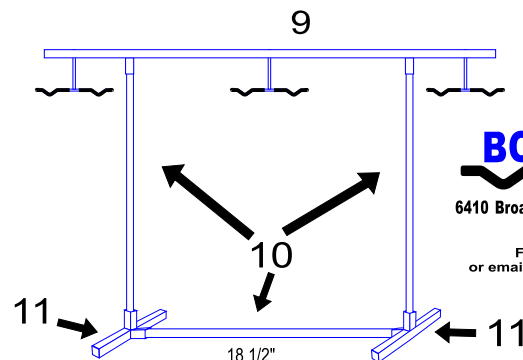
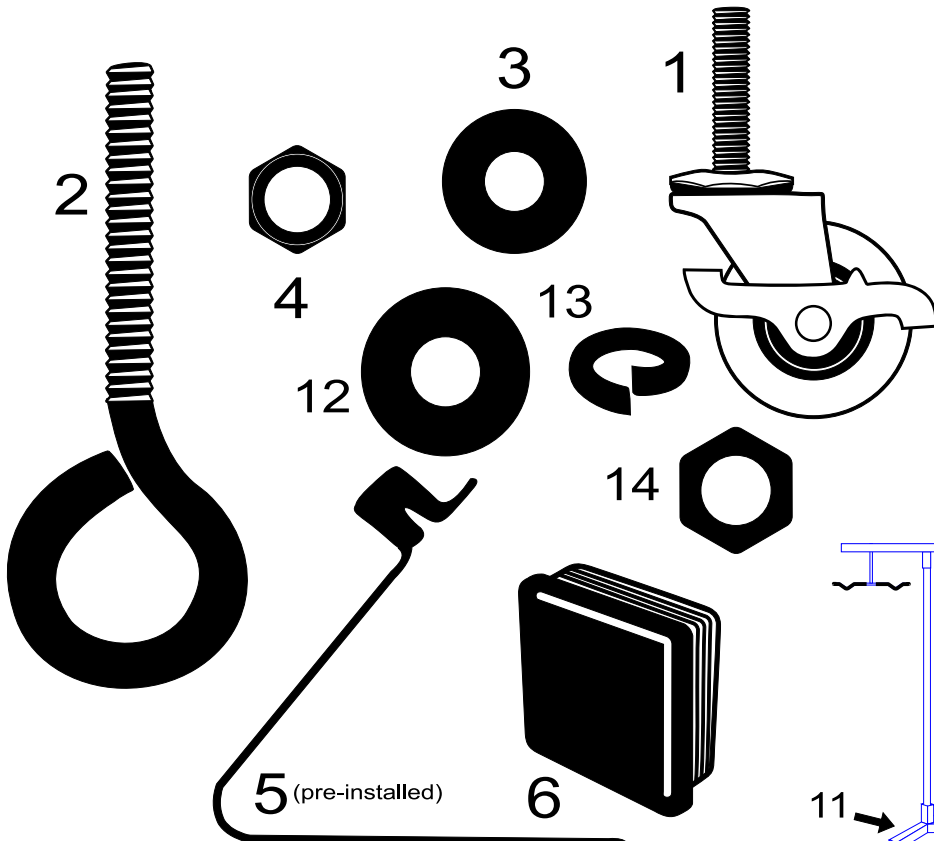
#9 Top Bar slides on the top of the #10 Uprights. Push down until it snaps into place.

Cable Runs through the cam of the bows. Secure cable to eyehook at other end of rack using the padlock.



# 076- 6 Bow Floor Rack- Parts List

Part #	Description	Qty
1	Heavy Duty Casters (2 w/ brakes)	(4)
2	Eyebolt 3 1/4" x 5/16"	(2)
3	Flat Washers 5/16"	(4)
4	Nylon Locking Nut 5/16"	(2)
5	Snap Buttons (Installed)	(6)
6	Square Rubber End Caps 1 1/2"	(6)
7	Vinyl Caps 3/8" (Installed)	(6)
8	Foam Rubber (Installed)	(6)
9	Top Bar/Hangers 53"	(1)
10	Uprights/Bottom Support Bar 18 1/2"	(3)
11	Feet 24"	(2)
12	Flat Washer 3/8"	(4)
13	Lock Washer 3/8"	(4)
14	Nuts 3/8"	(4)



**BOWTREE**  
www.bowtree.com  
6410 Broadway St. Quincy IL 62305  
1-866-bowtree  
For Questions Call  
or email support@bowtree.com